

IMPLANT SYSTEM

MICRODENT SYSTEM

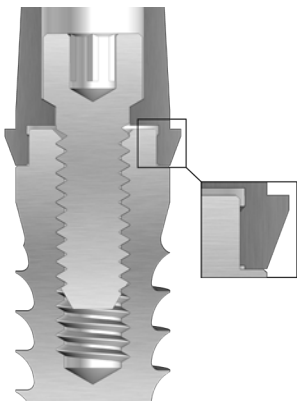
PRODUCTS GUIDE

www.microdentsystem.com

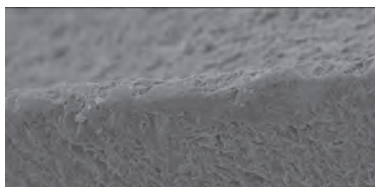


MICRODENT IMPLANT SYSTEM SYSTEM

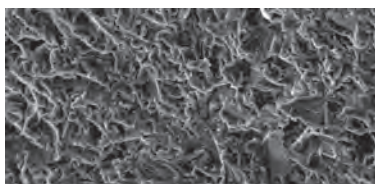
IMPLANTS FOR EXTERNAL HEXAGO- NAL CONNECTION



Unlike the Universal system, the hexagon where the prosthesis is seated is larger in the Microdent System implants (1 mm in height and 3 mm in width for the Ø 4.20 and Ø 5.10 platforms), which offers better prosthetic stability and allows a greater insertion torque.



Threaded edge at 500x magnification



Surface at 1,000x magnification

Connection

Universal hexagonal external connection, common for all SYSTEM and SYSTEM V system platforms.

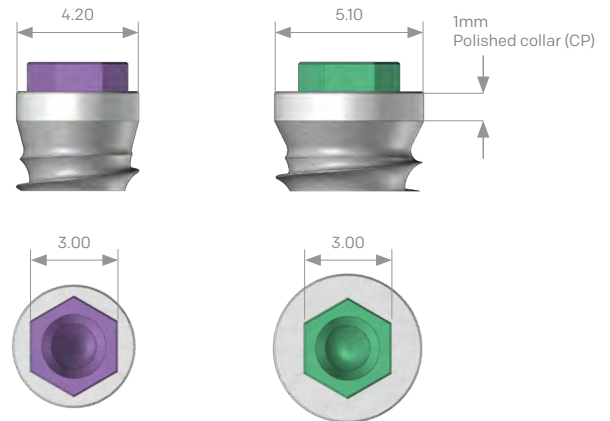
For System Mini implants with narrow platform Ø 3.50 mm (MST y MS), we have an external hexagon of 2.55 mm, measured between their faces, and a height of 0.7 mm. Their internal screw is M1.80.

For implants with platform Ø 4.20 and Ø 5.10 mm, we have an external hexagon of 3.00 mm, measured between their faces, and a height of 1 mm. Their internal screw is M2.00.

Implants diameter 3.50

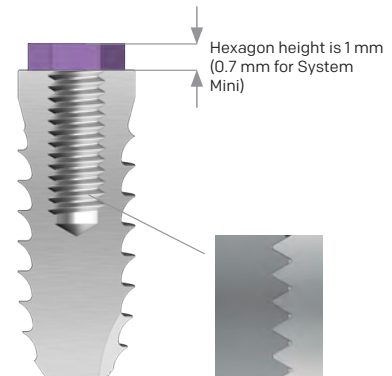


Implants diameter 4.20 - 5.10



Internal Screw M1.80 / M2.00

Internal according to standard UNE-EN ISO 17708, machined with maximum precision, with a pitch of 0.35 mm for diameter 3.50 and 0.40 mm for diameters 4.20 and 5.10. Only a 1.20 screwdriver is required to fix the prosthesis retention screw of the entire range of Microdent SYSTEM implants.



Surface

Microdent treats the surface of your dental implants by applying a physical attack with abrasive particles (sandblasting) at high pressure. This method, registered as Abrasive Treatment Extreme Cleaning (ATEC), causes an increase in the external surface of the implant and a homogeneous microroughness that favours osseointegration.

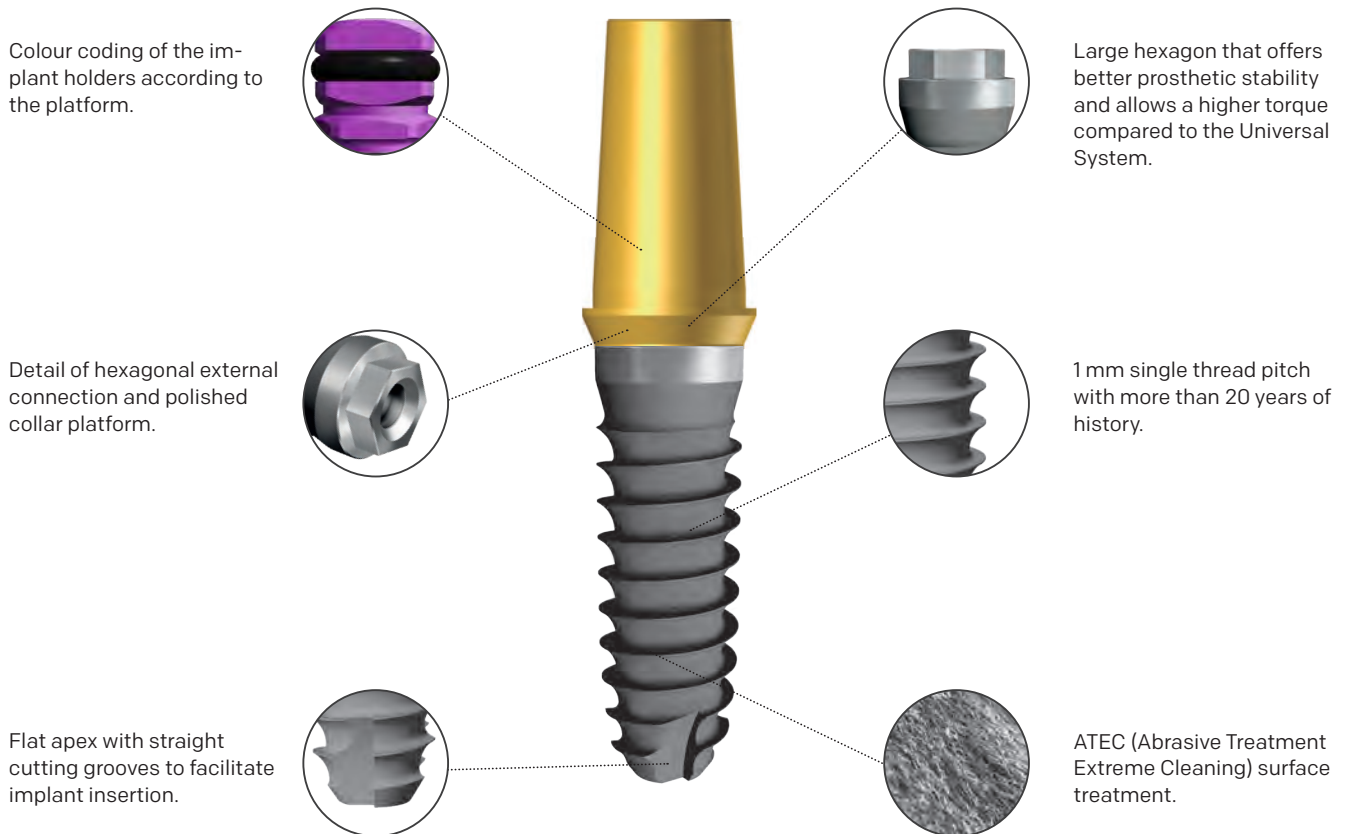
The cleaning process to which the implants are subjected guarantees and exceeds the standard set out by the European Pharmacopoeia.

The external surface of all System family implants is sandblasted except for the 1 mm collar and 1 mm external hexagon (0.7 mm for System Mini), which are polished.

MICRODENT IMPLANTS SYSTEM

Implant system with hexagonal external connection made of grade 4 titanium, which is inserted in a supracrestal position and can be used for immediate or deferred load techniques. A unitary control of all manufactured parts is performed to ensure the quality of the final product received by the clinician.

The two different platforms and six different cores of SYSTEM implants offer great surgical versatility.



Platform diameter	Ø 4.20	Ø 4.20	Ø 4.20	Ø 4.20	Ø 5.10	Ø 5.10
Core diameter	Ø 3.30	Ø 3.50	Ø 3.80	Ø 4.20	Ø 4.20	Ø 5.00
L06	-	-	M3806CP	M4206CP	M504206CP	M5006CP
L 08	M3308CP	M3508CP	M3808CP	M4208CP	M504208CP	M5008CP
L 10	M3310CP	M3510CP	M3810CP	M4210CP	M504210CP	M5010CP
L 12	M3312CP	M3512CP	M3812CP	M4212CP	M504212CP	M5012CP
L 14	M3314CP	M3514CP	M3814CP	M4214CP	M504214CP	M5014CP
L 16	M3316CP	M3516CP	M3816CP	M4216CP	M504216CP	M5016CP

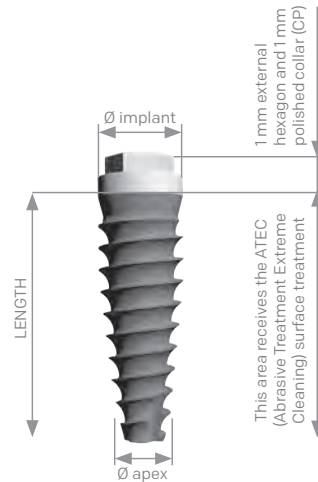


The length of the implant is determined from the apex to the 1 mm polished collar. It does not include the hexagon height which is 1 mm (0.7 mm for System Mini) For surgical protocols it should be taken into account that the drilling depth will be the same as the implant length (L).

MICRODENT IMPLANTS SYSTEM V

As a complement to the system, Microdent has incorporated the SYSTEM V implants in its range of hexagonal external connection implants, adding the advantages of the expansive core (conical body) to perform minimally invasive surgery. This is because the implant can be inserted in narrow ridges with the use of just a cortical drill and subsequently planning of the Microdent bone expansion protocol, regardless of the quality and density of the bone. Indicated for cases of severe atrophy, thanks to its self-tapping capacity and excellent primary stability.

Platform diameter	Ø 4.20	Ø 4.20	Ø 5.10
Core diameter	Ø 3.80	Ø 4.20	Ø 5.00
L 08	MV3808CP	MV4208CP	MV5008CP
L 10	MV3810CP	MV4210CP	MV5010CP
L 12	MV3812CP	MV4212CP	MV5012CP
L 14	MV3814CP	MV4214CP	MV5014CP
L 16	MV3816CP	MV4216CP	MV5016CP
Apex diameter	Ø 2.50	Ø 2.60	Ø 3.20

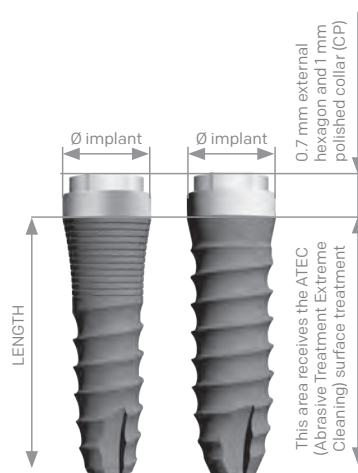


MICRODENT IMPLANTS SYSTEM MINI

Designed to provide a wider range of options for the clinician's daily work, implants with a narrow platform \varnothing 3.50 mm (MST and MS) reduce their internal thread to M1.80 and have an external hexagon of 2.55 mm, measured between their faces, and a height of 0.7 mm.

Available in lengths from 8 to 16 mm, they are particularly indicated in situations where there is a limitation of horizontal space, gingival deficit, bone atrophy or presence of roots of adjacent teeth in a compromised situation. Ideal solution for the replacement of upper lateral incisors and lower incisors.

Platform diameter	Ø 3.50	Ø 3.50
Core diameter	Ø 2.80	Ø 3.25
L 08	MST2808CP	MS32508CP
L 10	MST2810CP	MS32510CP
L 12	MST2812CP	MS32512CP
L 14	MST2814CP	MS32514CP
L 16	MST2816CP	MS32516CP



With diameters of 5.6, 6, 7 and 8 mm, and lengths from 4 to 12 mm, the MKpro hexagonal external connection implants, together with the EKpro internal connection series, complete the Microdent range of comprehensive solutions.

Microdent's large diameter Pro series clinically solves situations encountered during implant fixation in posterior sectors. A safe option in the treatment of edentulous areas with low bone height. Consult the relevant catalogue.



HEALING ABUTMENTS

Straight temporary healing abutments are used for healing and shaping of the gingiva during the pre-prosthetic period. Available heights from 2 and 5.5 mm. Divergent temporary healing abutments are used to form a wider, anatomical mucosal space. Available heights of 4 and 6 mm.



TAKING IMPRESSIONS

Microdent has a series of elements for taking impressions that can be used for the open or closed tray technique. Replica/ Transfers/ Connecting screws.



PROSTHESIS

IMMEDIATE LOADING ABUTMENT

Special conical abutment used during the first surgical phase and with excellent retention for the cement-screwed prosthesis.



CONICAL ABUTMENT

Grade 5 tapered titanium abutments, with and without finish line for BOPT technique, rotary and anti-rotational. Available in various heights.



AESTHETIC ANGULATED ABUTMENT

Angled abutment with inverted finish line which, being located on the opposite side, allows vestibular concealment of the metal. Available in 15°, 20° and 25° angles.



Angled abutment also available with and without finish line

MINI CAPITEL TRANSEPIHELIAL ABUTMENT

Rotating abutments for multiple screw-retained restorations (straight and angled at 17° or 30°) and anti-rotational abutments for single units. They allow multiple solutions and are available in various heights.



Angled abutment available in 17° and 30°.

DOME TI-BASE AND DYNAMIC DOME

Grade 5 titanium interface that is fixed to the implant platform allowing the fabrication of definitive cement-screwed prostheses. For CAD-CAM-assisted restorative dentistry.



ORIENTABLE SEMICALCINABLE ABUTMENT

Abutment with Chrome-Cobalt base and POM plastic chimney indicated to correct angulations of up to 25° in over-glued prostheses, thus directing the emergence of the screw.



Also available straight.

OVERDENTURES

OSSCILIA SYSTEM

System for correcting unevenness with respect to the vertical of 17°, consisting of a metal cap and three interchangeable Teflons with different levels of retention. Available in heights from 0 to 4 mm.



The Osscilia abutment has a DLC coating that improves its hardness and reduces the coefficient of friction.



MICRO-LOC SYSTEM

System with different retention levels, capable of compensating for unevenness. Available in heights of 0 to 3 mm.



The abutment has a Titanium Nitride (TiN) coating to improve durability and reduce wear.



